



TLG8SSK4F2

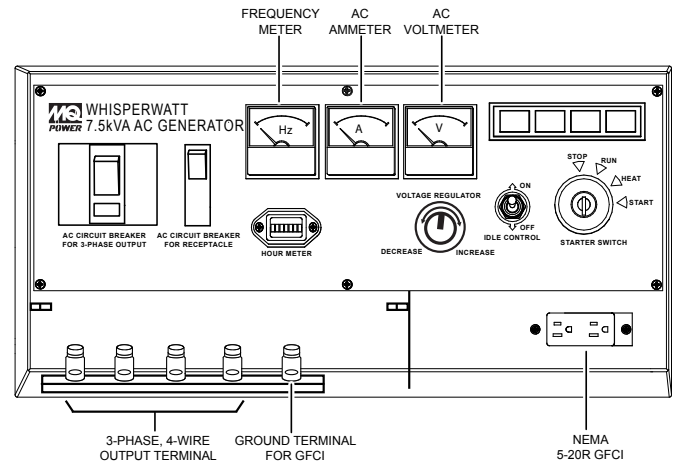
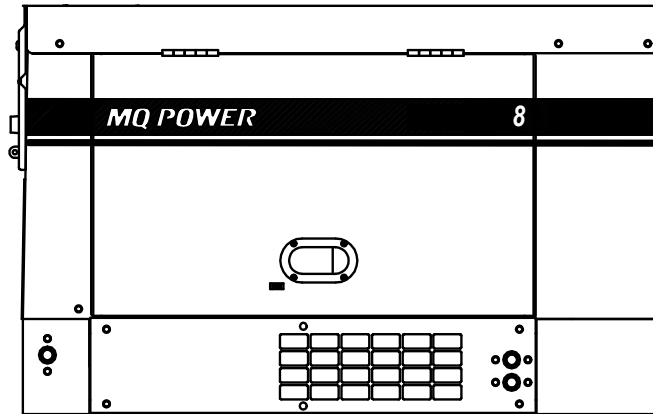
MQ Power WhisperWatt™ Series

WhisperWatt™

Prime Rating — 6 kW (7.5 kVA)

Standby Rating — 6.4 kW (8 kVA)

Three-Phase, 60 Hertz, 0.8 PF



Generator Control Panel

STANDARD FEATURES

- Excellent voltage regulation — Power is controlled within $\pm 0.5\%$ of mean voltage. Self-regulated.
- Brushless Generator Design — Reduces services and maintenance requirements.
- Sound attenuated, weather resistant, steel housing provides operation at 64 dB(A) at 23 feet. Fully lockable enclosure allows safe unattended operation.
- Internal fuel tank — Holds 6.8 gallons (26 liters).
- E-coat and powder coat paint provides durability and weather protection.
- Single-side Maintenance Design — Quick, direct access to all filters. External fluid drain extensions allow fast, easy service. Ideal for Ground Heater applications and confined areas.
- Automatic safety shutdown system — Monitors low oil pressure, high water temperature and battery charge via warning lamp display module.
- Complete generator instrumentation — Includes 2-pole GFCI circuit breaker, AC voltmeter, AC ammeter, frequency meter, voltage regulator, hour meter, idle control switch, warning lamp display, and ignition switch.
- Complete power panel — Fully covered; three-phase terminals and single phase GFCI receptacle allow fast and convenient hookup for most applications including temporary power boxes, tools and lighting equipment. All are NEMA standard.
- EPA emissions certified — Tier 4 Final emissions compliant.

OPTIONAL FEATURES

- Automatic Start/Stop Control — Automatically starts and monitors generator during power failure when used in conjunction with a transfer switch.
- Solid State Battery Charger — Provides fully automatic and self-adjusting charging to the generator's battery system.
- Fuel/Water Separator — Effectively separates damaging condensation from fuel.
- Emergency Stop Switch — When manually activated, shuts down generator in the event of an emergency.
- Single Wall or Double Wall Sub-base Fuel Tanks — Additional fuel cell for extended run time. Available in a variety of configurations.
- Trailer Mounted Package — Highway legal trailer with electric brakes with single axle configuration. Extra capacity fuel tank is also available.

NOTICE

Generator is not intended for use in enclosed areas or where free flow of air is restricted.

Backfeed to a utility system can cause electrocution, shock and/or property damage. **DO NOT** connect to any building's electrical system except through an approved device.

Specifications are subject to change without notice.



TLG8SSK4F2

MQ Power WhisperWatt™ Series

SPECIFICATIONS

Generator Specifications

Design	Revolving field, self-ventilated drip-proof, single bearing
Armature Connection	Wye
Voltage Connection	4-Lead, Dedicated Voltages
Excitation	Brushless with AVR
Phase	3
Standby Output	6.4 KW (8 KVA)
Prime Output	6 KW (7.5 KVA)
Rated Voltage	208/240V
Voltage 1Ø Line to Neutral	120, 127, 139
Voltage 3Ø Line to Line	208, 220, 240
Power Factor	0.8
Voltage Regulation (No load to full load)	±1.5%
Generator RPM	3600
Frequency	60 Hz
No. of Poles	2
No. of Leads	4
Frequency Regulation: No Load to Full Load	3-5% under varying loads from no load to 100% rated load
Frequency Regulation: Steady State	±2.5% of mean value for constant loads from no load to full load
Insulation	Class F
Sound Level dB(A) Full load at 23 feet	64

Engine Specifications

Make / Model	Kubota / Z482-E3B
Emissions	EPA Tier 4 Final Certified
Starting System	Electric
Design	Vertical, 4-cycle, liquid cooled, diesel engine
Displacement	29.23 in³ (479 cc)
No. cylinders	2
Bore x Stroke	2.52 x 2.68 in. (64 x 68 mm)
Gross Engine Power Output	12.3 hp (9.2 kW)
Compression Ratio	23:1
Engine Speed	3600 rpm
Oil Capacity	.66 gallons (2.5 liters)
Coolant Capacity	0.7 gallons (2.9 liters)
Starting System	Electric
Battery	12V 35Ah x 1

Amperage

Rated Voltage at 240 V	Maximum Amps
Standby	19.2
Prime	18

Manufactured by Denyo Co.

Your MultiQuip dealer is:

© COPYRIGHT 2018 MULTIQUIP INC.
TLG8SSK4F2 Rev. #0 (02/15/18)

Fuel System

Recommended Fuel	ASTM-D975-No.1 & No.2-D*	
Fuel Tank Capacity	6.8 gallons (26 liters)	
Fuel Consumption	gph	lph
At full load	0.69	2.6
At 3/4 load	0.55	2.1
At 1/2 load	0.48	1.8
At 1/4 load	0.37	1.4

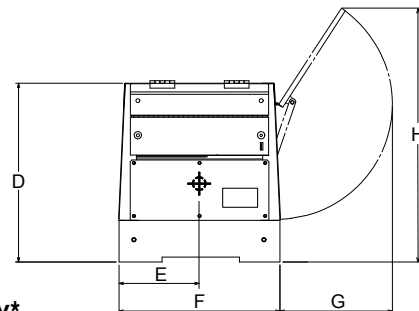
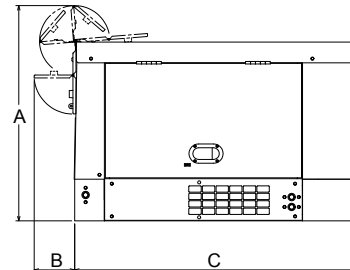
* Use ultra-low sulfur diesel fuel

Exhaust

Gas Flow (full load)	87 cfm (2.45 m³/min)
Gas Temperature	752° F (400° C)

Weights and Measurements

Housing	A	B	C	D
	34.4 in (874 mm)	6.5 in (164 mm)	43.3 in (1100 mm)	28.3 in (720 mm)
	E	F	G	H
	11.8 in (300 mm)	24.0 in (610 mm)	18.1 in (460 mm)	38.9 in (987 mm)
Approx. Dry Weight	580 lbs (263 kg)			
Approx. Wet Weight	646 lbs (293 kg)			



WARRANTY*

Kubota Engine

12 months from date of purchase with unlimited hours or 24 months from date of purchase with 2000 hours (whichever comes first).

Generator

24 months from date of purchase or 2000 hours (whichever occurs first).

Trailer

12 months excluding normal wear items.

*Refer to the express written, one-year limited warranty sheet for additional information.



MULTIQUIP
POST OFFICE BOX 6254
CARSON, CA 90749
310-537-3700 • 800-883-2551
FAX: 310-604-3831
E-MAIL: sales@multiquip.com
WEBSITE: www.multiquip.com